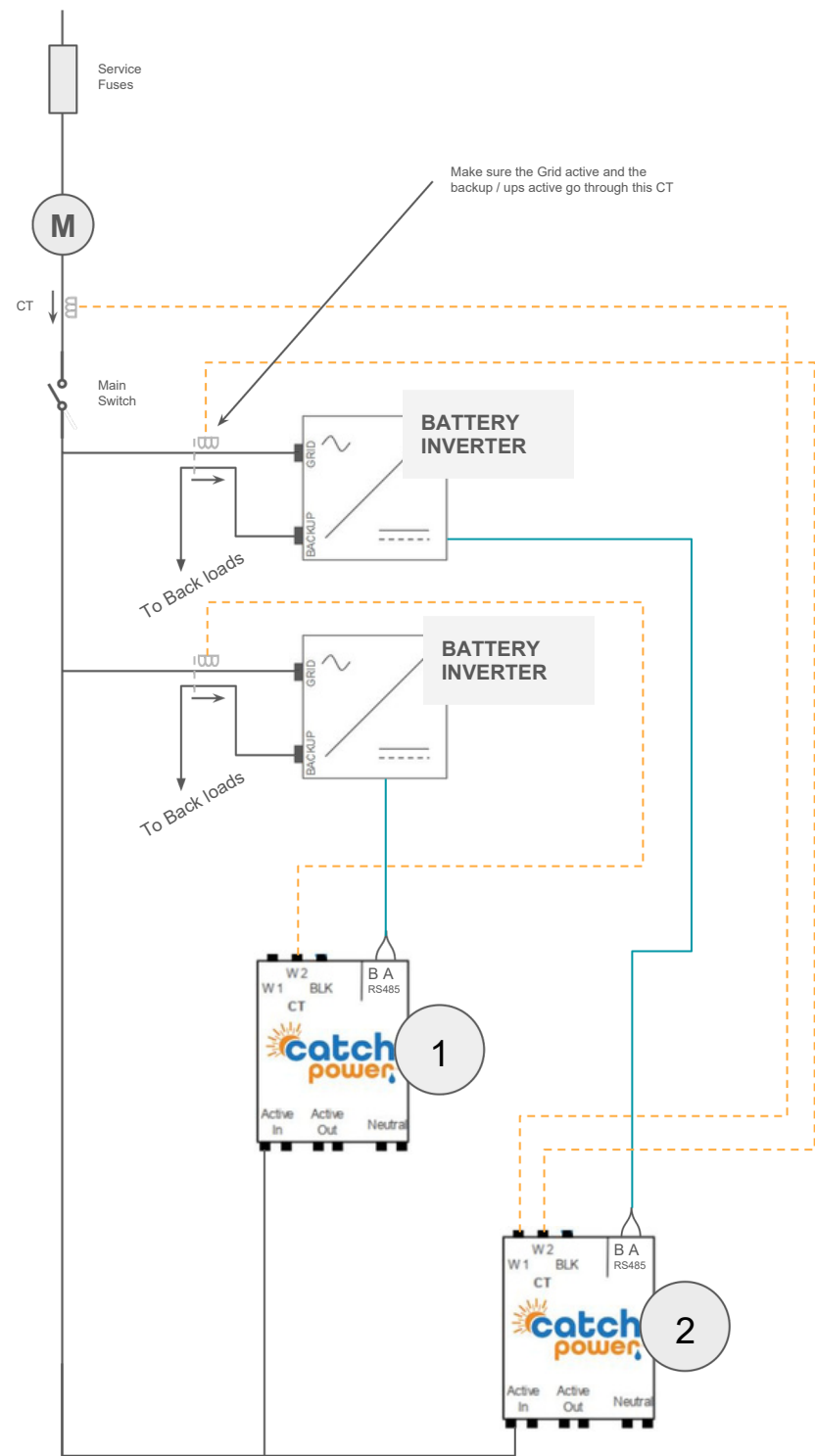


**SLD-002 : Single Phase - MULTIPLE BATTERY INVERTERS**



**(1) 2CH - BATTERY INVERTER**

Acting as the Energy meter for an Inverter? **YES**  
 Are you planning to connect to an inverter via SUNSPEC with this device? **NO**  
 Do you want CATCH to be the master controller on this site? **YES**  
 Are you planning to put CT's from this device on the MAINS? **NO**  
 Are you controlling a domestic Hot water with a Contactor? **NO**

**(2) 2CH - BATTERY INVERTER**

Acting as the Energy meter for an Inverter? **YES**  
 Are you planning to connect to an inverter via SUNSPEC with this device? **YES**  
 Do you want CATCH to be the master controller on this site? **YES**  
 Are you planning to put CT's from this device on the MAINS? **YES - 1 CT on the MAINS**  
 Are you controlling a domestic Hot water with a

Contactor? **NO**

**Don't forget to do the SUNSPEC scan on this device**

