



SOLAR RELAY

INVERTER CONTROL
with
Growatt MIN 7-10K TL-X



CATCH Power
A trademark of Project H Pty Ltd
180 Dumaresq Street
Glen Innes
NSW 2370
Australia
Ph: +64 2 5700 5717
W: www.Catchpower.com.au
E: sales@catchpower.com.au

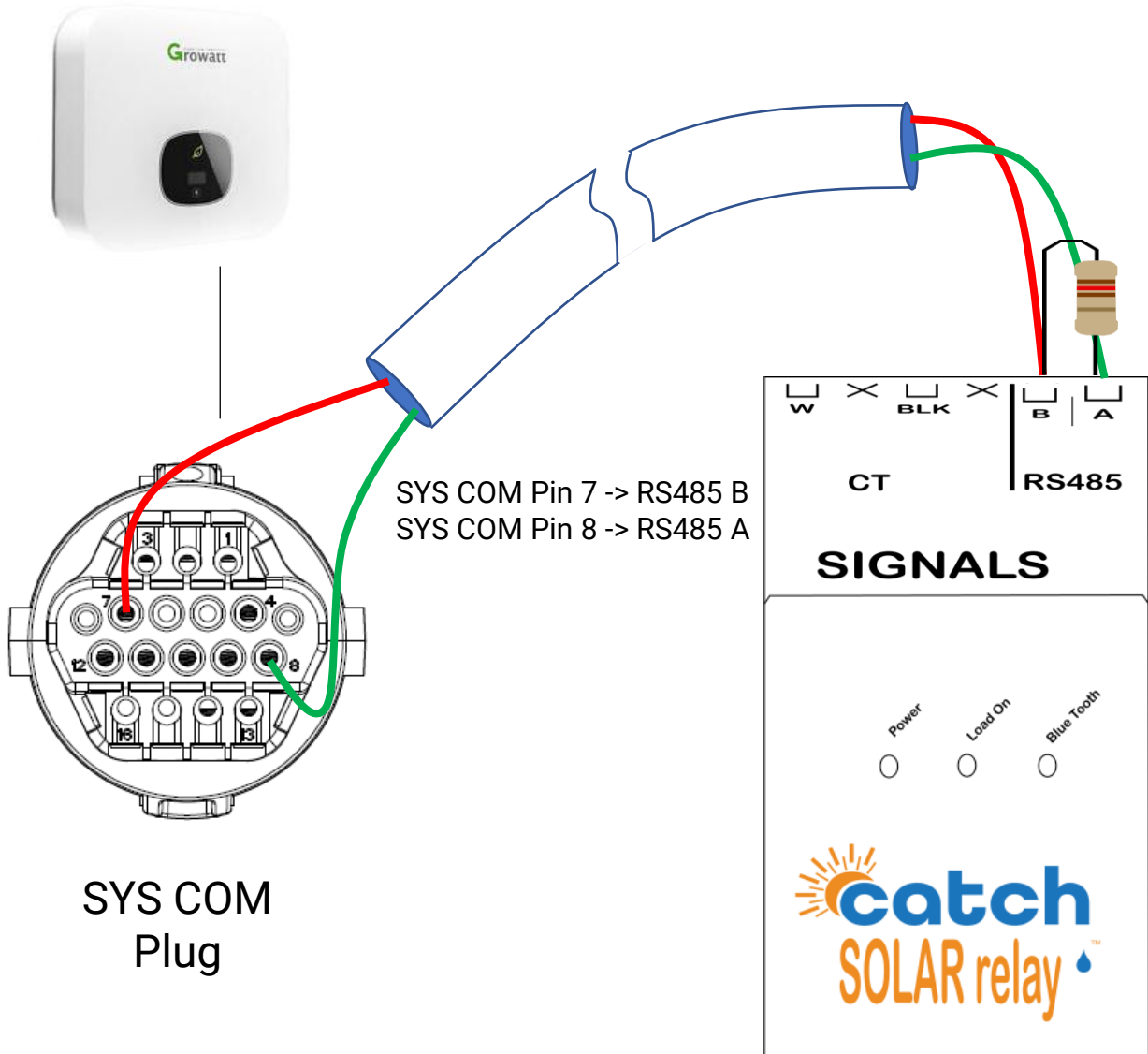
IMPORTANT



This guide discusses the specific wiring and configuration need to implement inverter control. Ensure the installation guide for both products is also followed.

Wiring Instructions

Ensure the data cable is rated for the voltages it will be in close proximity to.
A 120 Ohm terminating resistor may be required at the CATCH Relay terminals as shown in the diagram below if the cable run is longer than 10m.



Inverter Setup

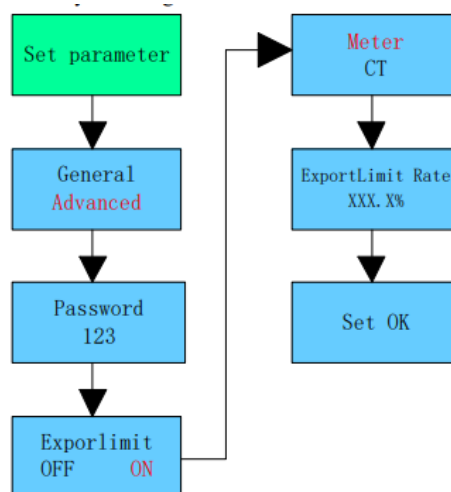
The Growatt interface is a little hard to get used to. The basic interface functions are shown below.

Single Tap	Move forward in the menu, or increase the setting by one
Double Tap	Enter into a menu or accept a change in value
Three taps	Previous Menu

There are two things that need to be set inside the Growatt inverter.

1. The meter type
2. The amount of export allowed.

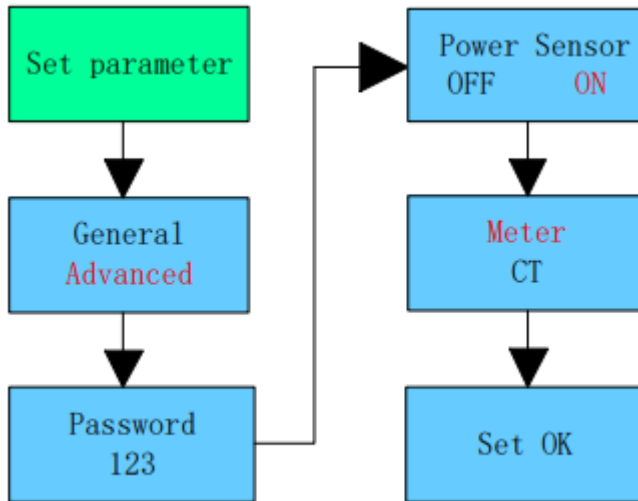
Follow the menu navigation and set the values as shown. The “>” marker indicates the required choice.



Export Limit Rate:

As an example value for this field. If you are configuring a 5kW inverter, and the export limit is 3kW. This should be set to $100 \times \frac{3\text{kW}}{5\text{kW}} = 60.0$

Inverter Setup..Continued



SOLAR RELAY Setup

Navigate to the Configuration page, and under the Modbus configuration set the parameters as shown.

Modbus Configuration

Emulated Meter

Growatt MIN 7000-10000 TL-X

Cluster Export Limit

0

Modbus Device ID

1

Modbus Baud Rate

9600

Modbus Stopbits

1

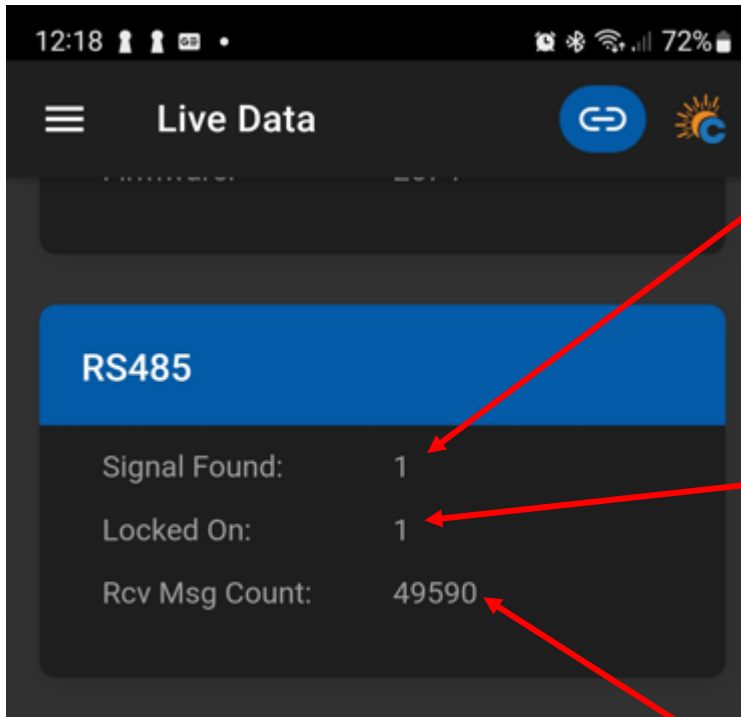
Modbus Parity

None

Checking the status of the RS485 interface

Within the CATCH Power app if you navigate to the bottom of the Live Data screen you will see something similar to the screen below.

The RS485 Status Can be used to confirm correct operation



Indicates the inverter is transmitting data on the RS485 cable.

If this is zero it means the inverter is not communicating or there is a break in the cable.

This indicates the inverter and the CATCH Relay are talking the same language.

If this is zero it is likely you have not chosen the correct meter when configuring the relay or the +ve and -ve wires are crossed over.

This number continually counts the number of successful messages. This number will continue to rise if communications the link is good.

**THE FOLLOWING ONLY NEEDS
TO BE FOLLOWED IF YOU ARE ENABLING
DYNAMIC / FLEXIBLE EXPORTS**



NO NATIVE MONITORING

If you choose to use RTU Control for this inverter, the inverter monitoring platform will not work

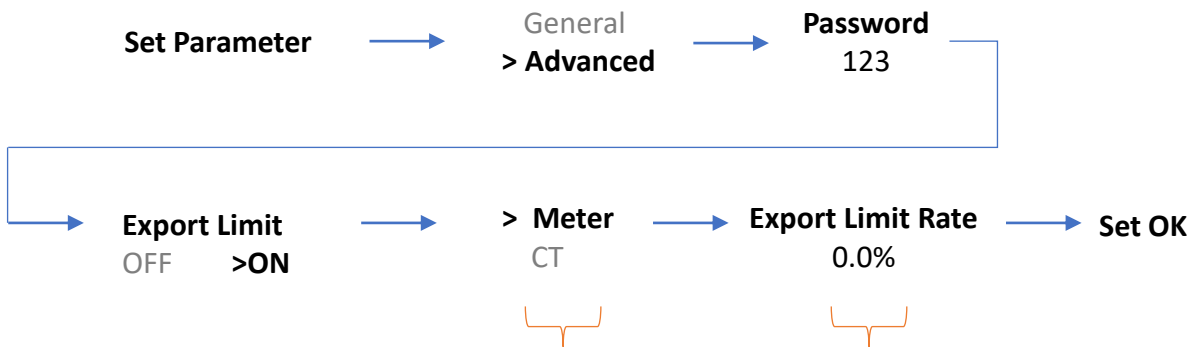


NO BATTERIES

RTU Control cannot be used on Hybrid inverters that have a battery connected.

Export limit the inverter to ZERO

Follow the menu navigation and set the values as shown. The ">" marker indicates the required choice.



This sets the measuring device to a RS485 Meter

Set this to Zero

SUNSPEC Configuration

GROWATT Does not support
SUNSPEC over modbusTCP



REGISTER SITE

DYNAMIC / FLEXIBLE Export Control

Follow the Configuration steps in the Electricians Guide to register the site for the MONOCLE, and for Dynamic / Flexible Exports

DYNAMIC / FLEXIBLE EXPORT CONTROL

DYNAMIC / FLEXIBLE EXPORT CONTROL